

# 1510/1550nm Wideband WDM 3-Port Device



## Features / Benefits

- Low insertion loss
- High channel isolation
- Low PDL & PMD

## Applications

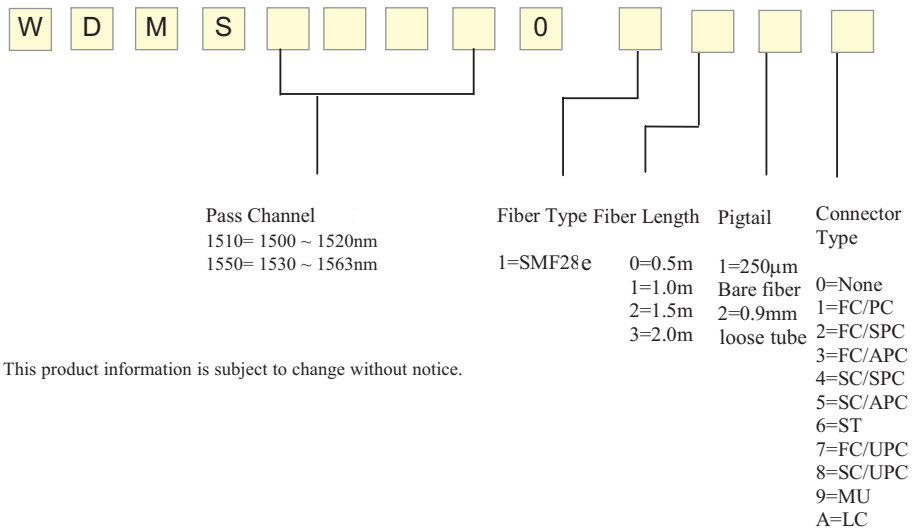
- WDM systems
- Fiber Amplifier
- Network Control

## Specifications

Parameters			Unit	Specification
Operating Wavelength Range			nm	1530 ~ 1563 1500 ~ 1520
Pass Channel (C↔P)	Insertion loss	Max.	dB	0.8
	Isolation	Min.	dB	30
	Ripple	Max.	dB	0.3
Reflection Channel (C↔R)	Insertion loss	Max.	dB	0.5
	Isolation	Min.	dB	13
Directivity		Min.	dB	55
Optical Return Loss		Min.	dB	45
Polarization Dependent Loss		Max.	dB	0.1
Polarization Mode Dispersion		Max.	ps	0.1
Thermal Stability		Max.	dB/°C	0.004
Operating Temperature			°C	-5 ~ 70
Storage Temperature			°C	-40 ~ 85
Max. Optical Power		Min.	mW	500
Max. Tensile Load		Min.	N	5
Fiber Type			-	SMF-28e
Dimension			mm	φ5.5x 32 for 250μm bare fiber φ5.5x39 for 900μm loose tube

Note: Return loss without connector; insertion loss does not include connector

## Ordering Information



This product information is subject to change without notice.