

1480/1550 (1590)nm Fused WDM



Features / Benefits

- Low insertion loss
- Low PDL
- Low cost

Applications

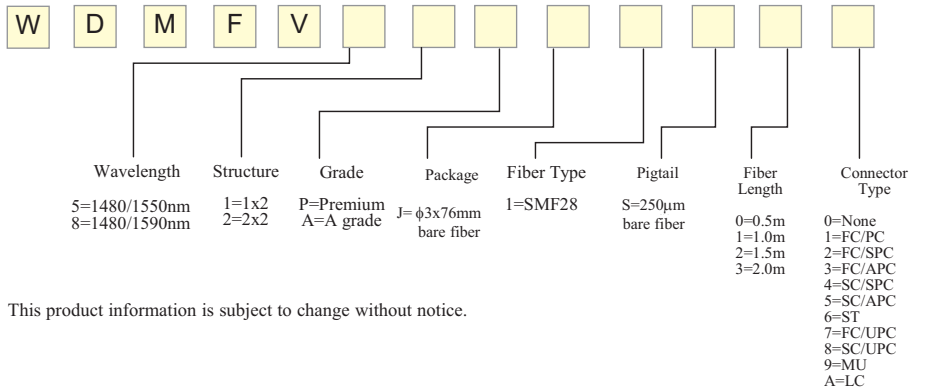
- Optical fiber amplifier
- Optical communication system

Specifications

Parameter		Unit	1480 / 1550nm WDM		1480 / 1590nm WDM	
			Premium	A grade	Premium	A grade
Pump Channel		nm	1475 - 1485		1475 - 1485	
Insertion Loss	Max.	dB	0.3	0.4	0.3	0.4
PDL	Max.	dB	0.1	0.15	0.1	0.15
Isolation	Min.	dB	15	13	17	15
Signal Channel		nm	1545 to 1555		1585 to 1595	
Insertion Loss	Max.	dB	0.3	0.4	0.3	0.4
PDL	Max.	dB	0.1	0.15	0.1	0.15
Isolation	Min.	dB	15	13	17	15
Return Loss	Min.	dB	50			
Operating Temperature		°C	-40 to +85			
Storage Temperature		°C	-50 to +85			
Package Type		mm	J= Φ3 x 76: for bare fiber			

Note: Return loss without connector; insertion loss does not include connector

Ordering Information



This product information is subject to change without notice.