

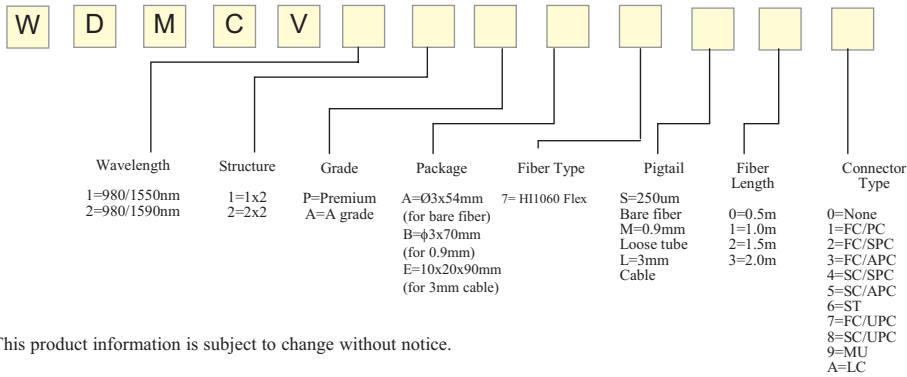
980/1550 (1590)nm Fused WDM

Specifications

Parameter		Unit	980/1550nm WDM		980/1590nm WDM	
			Premium	A grade	Premium	A grade
Pump Channel		nm	970 - 990		970 - 990	
Insertion Loss	Max.	dB	0.3	0.4	0.3	0.4
PDL	Max.	dB	0.05	0.05	0.05	0.05
Isolation	Min.	dB	20	18	20	18
Signal Channel		nm	1530 - 1565		1570 - 1605	
Insertion Loss	Max.	dB	0.3	0.4	0.3	0.4
PDL	Max.	dB	0.05	0.05	0.05	0.05
Isolation	Min.	dB	20	18	20	18
Return Loss	Min.	dB	50			
Operating Temperature		°C	-40 to +85			
Storage Temperature		°C	-50 to +85			
Package Type		mm	A= Φ 3 x 54 for bare fiber B= Φ 3 x 70 for 0.9mm loose tube E= 10 x 20 x 90 for 3mm cable			

Note: Return loss without connector; insertion loss does not include connector

Ordering Information



This product information is subject to change without notice.



Features/Benefits

- Low insertion loss
- Low PDL
- Low cost

Applications

- Optical fiber amplifier
- Optical communication system