

1310/1550nm Fused WDM



Features / Benefits

- Low insertion loss
- Low PDL
- Low cost

Applications

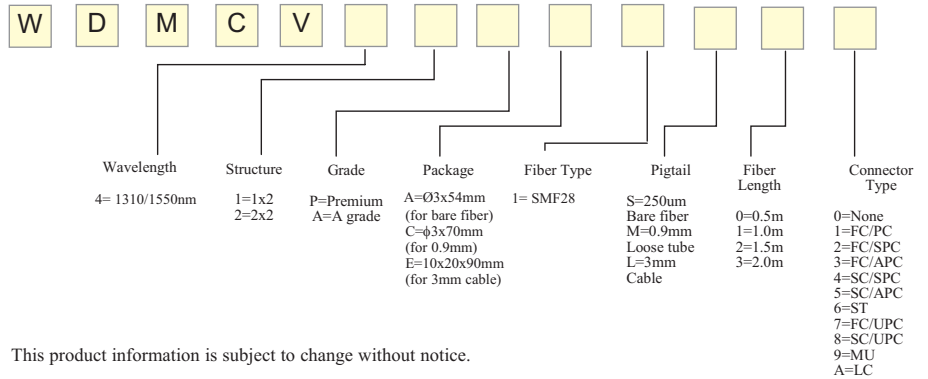
- CATV
- Optical communication system
- Optical power distribution system
- Fiber optic sensors

Specifications

Parameter		Unit	Premium	A grade
Shorter Wavelength Channel		nm	1310 ± 15	
Insertion Loss	Max.	dB	0.3	0.4
PDL	Max.	dB	0.10	0.15
Isolation	Min.	dB	17	16
Longer Wavelength Channel		nm	1550 ± 15	
Insertion Loss	Max.	dB	0.3	0.4
PDL	Max.	dB	0.10	0.15
Isolation	Min.	dB	17	16
Return Loss	Min.	dB	50	
Operating Temperature		°C	-40 to +85	
Storage Temperature		°C	-50 to +85	
Package Dimension		mm	A= Ø3 x 54 for bare fiber C= Ø3 x 70 for 0.9mm looser tube E= 10 x 20 x 90 for 3mm cable	

Note: Return loss without connector; insertion loss does not include connector

Ordering Information



This product information is subject to change without notice.