

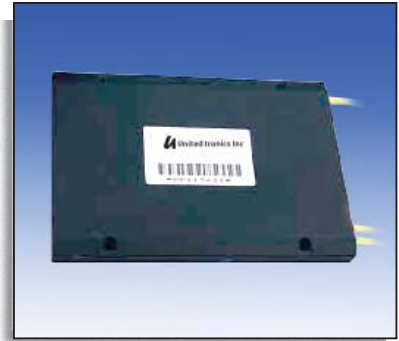
1310/1550nm Fused WDM

- High Isolation

Specifications

Parameter	Unit	High Isolation	Ultra-High Isolation
Shorter Wavelength Channel	nm	1310 ± 15	
Insertion Loss	Max. dB	0.7	1.0
PDL	Max. dB	0.10	0.15
Isolation @ 1535nm	Min. dB	34	45
Longer Wavelength Channel	nm	1550 ± 15	
Insertion Loss	Max. dB	0.7	1.0
PDL	Max. dB	0.10	0.15
Isolation @ 1325nm	Min. dB	34	45
Return Loss	Min. dB	50	
Operating Temperature	°C	-20 to +75	
Storage Temperature	°C	-50 to +85	
Package Dimension	mm	L= 10 x 80 x 100	

Note: Return loss without connector; insertion loss does not include connector



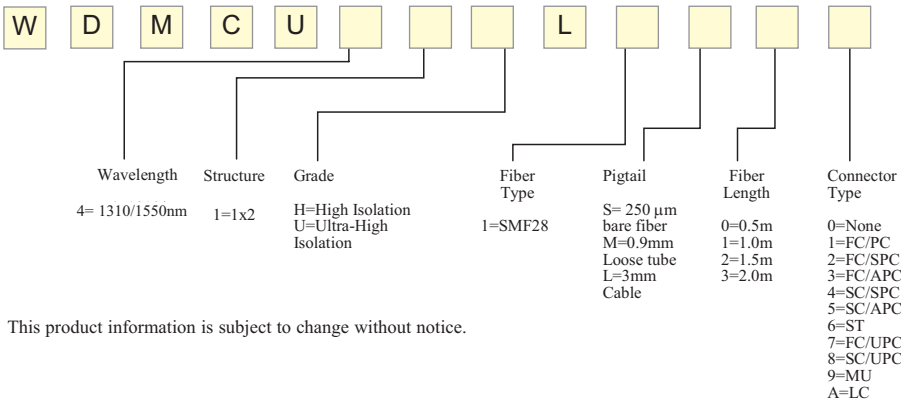
Features / Benefits

- Low insertion loss
- High isolation
- Low PDL
- Low cost

Applications

- CATV
- Optical communication system
- Optical power distribution system
- Fiber optic sensors

Ordering Information



This product information is subject to change without notice.