

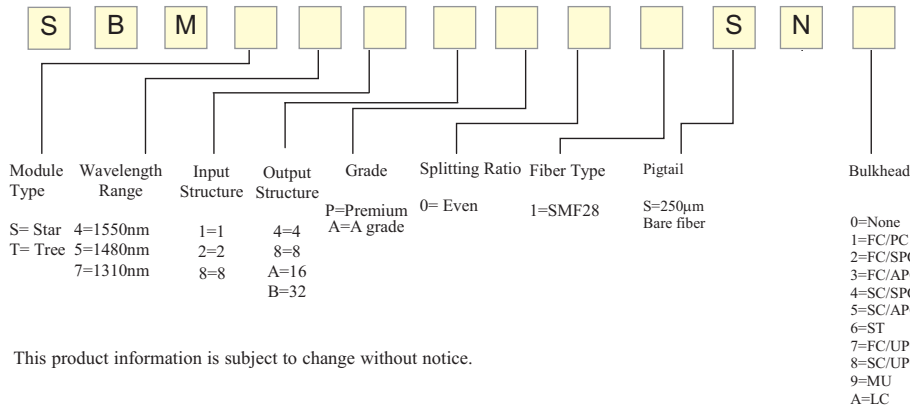
# LGX Rack Mountable Broadband Fused Splitter Module

## Specifications

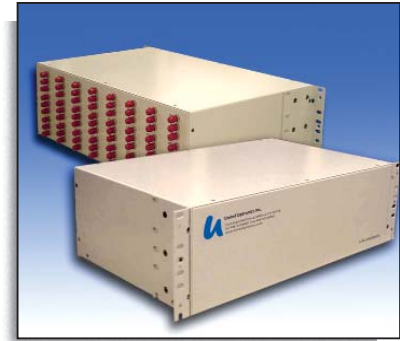
Parameter		Unit	Nx4 (N=1,2)		Nx8 (N=1,2)		Nx16 (N=1,2,8)		Nx32 (N=1,2)	
Operating Wavelength		nm	± 40							
Grade			P	A	P	A	P	A	P	A
Insertion Loss	Max.	dB	6.8	7.2	10.2	11.3	13.6	15.1	17.5	18.5
Excess Loss	Typ.	dB	0.3	0.5	0.5	0.7	0.8	1.2	1.0	1.4
Uniformity	Max.	dB	0.7	0.9	1.2	1.5	1.6	2.0	2.0	2.5
PDL	Max.	dB	0.03		0.12		0.2		0.3	
Return Loss	Min.	dB	45							
Operating Temperature		°C	-20 to +75							
Storage Temperature		°C	-50 to +85							
Package Type		mm	LGX single slot		LGX dual slots		19"2U or LGX four slots		19"2U	

Note: Return loss without connector; insertion loss does not include connector

## Ordering Information



This product information is subject to change without notice.



## Features / Benefits

- Low excessive lost
- Low insertion loss
- High directivity
- Low PDL

## Applications

- Optical communication system
- Optical power distribution system
- Fiber optic sensors
- Optical test system