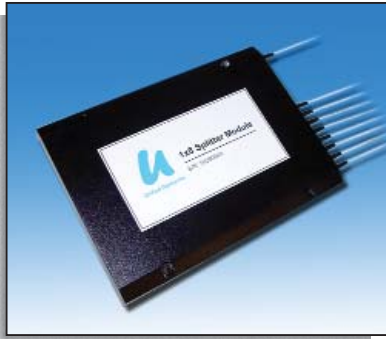


# Star/Tree Broadband Fused Splitter Module



## Features / Benefits

- Low excessive lost
- Low insertion loss
- High directivity
- Low PDL

## Applications

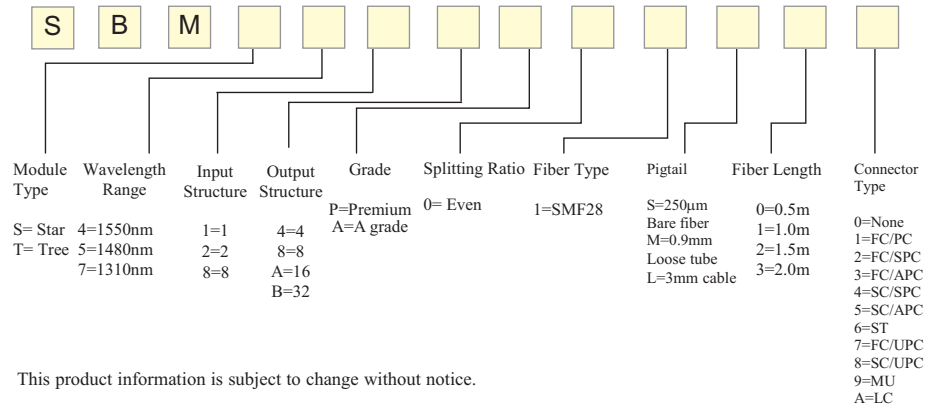
- Optical communication system
- Optical power distribution system
- Fiber optic sensors
- Optical test system

## Specifications

Parameter	Unit	Nx4 (N=1,2)	Nx8 (N=1,2)	Nx16 (N=1,2,8)	Nx32 (N=1,2)
Operating Wavelength	nm	± 40			
Grade		P	A	P	A
Insertion Loss	Max.	6.8	7.2	10.2	11.3
Excess Loss	Typ.	0.3	0.5	0.5	0.7
Uniformity	Max.	0.7	0.9	1.2	1.5
PDL	Max.	0.03	0.12	0.2	0.3
Return Loss	Min.	45			
Operating Temperature	°C	-20 to +75			
Storage Temperature	°C	-50 to +85			
Package Type	mm	10 x 80 x 100		12 x 120 x 160	15 x 120 x 160

Note: Return loss without connector; insertion loss does not include connector

## Ordering Information



This product information is subject to change without notice.