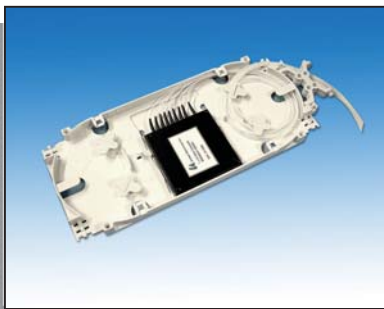


# Compact Dual Window Wideband Splitter Module



This new product from UOI is specially designed to fit the TYCO tray or other patching splitter trays. With dimensions of just 60 x 60 x 10mm, the 1310/1550 nm wideband splitters are capable of splitting light from a common input to multiple independent outputs.

## Specifications

Parameter		Unit	Nx8 (N= 1,2,8)	
Operating Wavelength		nm	1310 $\pm$ 40 / 1550 $\pm$ 40	
Grade			P	A
Insertion Loss	Max.	dB	10.7	11.7
Excess Loss	Typ.	dB	0.5	0.7
Uniformity	Max.	dB	2.1	2.5
PDL	Max.	dB	0.4	
Return Loss	Min.	dB	45	
Operating Temperature		°C	-20 to +75	
Storage Temperature		°C	-50 to +85	
Package Type		mm	60 x 60 x 10	

Note: Return loss and insertion loss do not include connector

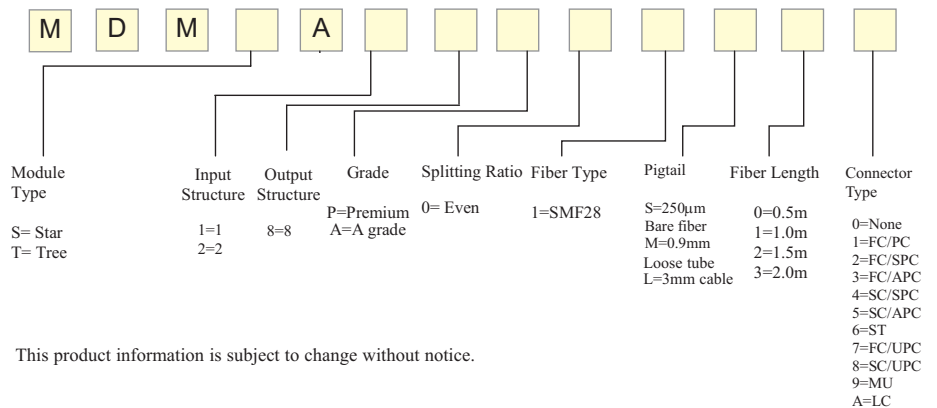
## Features / Benefits

- Low loss
- High uniformity
- Wideband
- Easy mounting
- Small size

## Applications

- Access networks
- Passive optical networks
- Cable TV
- DWDM systems
- FTTH networks

## Ordering Information



This product information is subject to change without notice.