

# 1x4 Single Mode Broadband Fused Splitter



## Specifications

| Parameter             |      | Unit | 25 : 25 : 25 : 25 |         |
|-----------------------|------|------|-------------------|---------|
|                       |      |      | Premium           | A grade |
| Bandwidth             |      | nm   | ± 40              |         |
| Insertion Loss        | Max. | dB   | 7.0               | 7.5     |
| Excess Loss           | Typ. | dB   | 0.2               | 0.3     |
| Uniformity            | Max. | dB   | 1.2               | 1.7     |
| PDL                   | Max. | dB   | 0.1               | 0.15    |
| Return Loss           | Min. | dB   | 50                |         |
| Operating Temperature |      | °C   | -40 to +85        |         |
| Storage Temperature   |      | °C   | -50 to +85        |         |

Note: Return loss without connector; insertion loss does not include connector

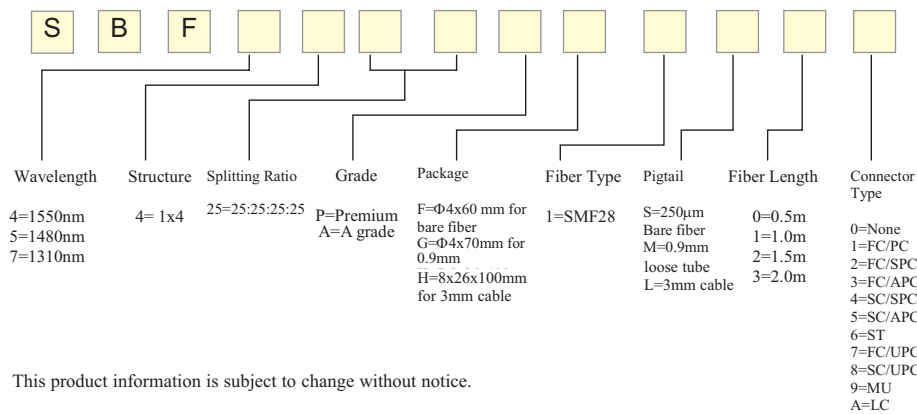
## Features / Benefits

- Compact package
- Low excess loss
- Low polarization dependent loss

## Applications

- Optical communication system
- Optical power distribution system
- Fiber optic sensors
- Optical test system

## Ordering Information



This product information is subject to change without notice.