

1x4 Single Mode 1310/1550nm Broadband Fused Splitter

Specifications

Parameter		Unit	25 : 25 : 25 : 25	
			Premium	A grade
Bandwidth		nm	1310± 40 & 1550± 40	
Insertion Loss	Max.	dB	7.5	7.9
Excess Loss	Typ.	dB	0.4	0.6
Uniformity	Max.	dB	1.4	2.0
PDL	Max.	dB	0.25	0.3
Return Loss	Min.	dB	50	
Operating Temperature		°C	-40 to +85	
Storage Temperature		°C	-50 to +85	

Note: Return loss without connector; insertion loss does not include connector



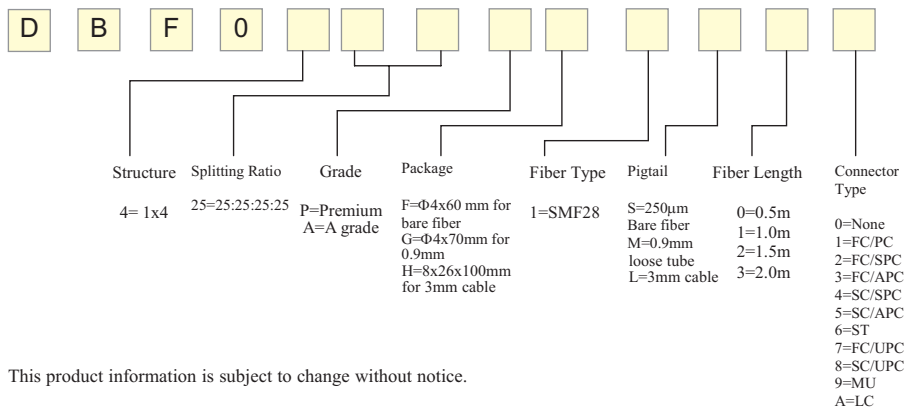
Features / Benefits

- Compact package
- Low excess loss

Applications

- Optical communication system
- Optical power distribution system
- Fiber optic sensors
- Optical test system

Ordering Information



This product information is subject to change without notice.