

# 1x3 Single Mode Broadband Fused Splitter

## Specifications

Parameter		Unit	33 : 33 : 33	
			Premium	A grade
Bandwidth		nm	± 40	
Insertion Loss	Max.	dB	5.4	5.7
Excess Loss	Typ.	dB	0.15	0.2
Uniformity	Max.	dB	1.0	1.4
PDL	Max.	dB	0.1	0.15
Return Loss	Min.	dB	50	
Operating Temperature		°C	-40 to +85	
Storage Temperature		°C	-50 to +85	

Note: Return loss without connector; insertion loss does not include connector



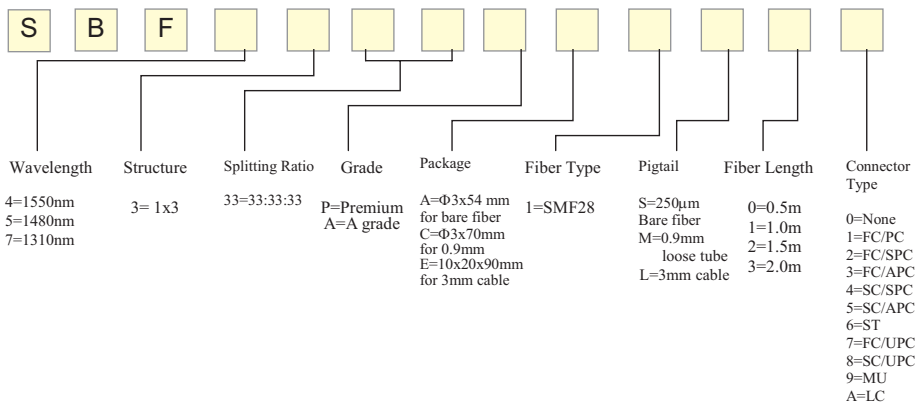
## Features / Benefits

- Compact package
- Low insertion loss
- High directivity
- Low polarization dependent loss

## Applications

- Optical communication system
- Optical power distribution system
- Fiber optic sensors
- Optical test system

## Ordering Information



This product information is subject to change without notice.