

1x3 Single Mode 1310/1550nm Broadband Fused Splitter



Specifications

Parameter		Unit	33 : 33: 33	
			Premium	A grade
Bandwidth		nm	1310± 40 & 1550± 40	
Insertion Loss	Max.	dB	5.6	6.0
Excess Loss	Typ.	dB	0.15	0.2
Uniformity	Max.	dB	1.2	1.6
PDL	Max.	dB	0.25	0.3
Return Loss	Min.	dB	50	
Operating Temperature		°C	-40 to +85	
Storage Temperature		°C	-50 to +85	

Note: Return loss without connector; insertion loss does not include connector

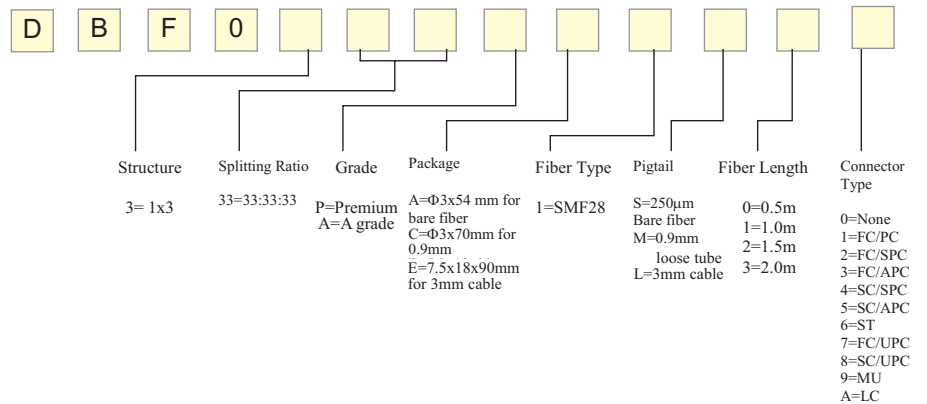
Features / Benefits

- Compact package
- Low excess loss
- Low polarization dependent loss

Applications

- Optical communication system
- Optical power distribution system
- Fiber optic sensors
- Optical test system

Ordering Information



This product information is subject to change without notice.